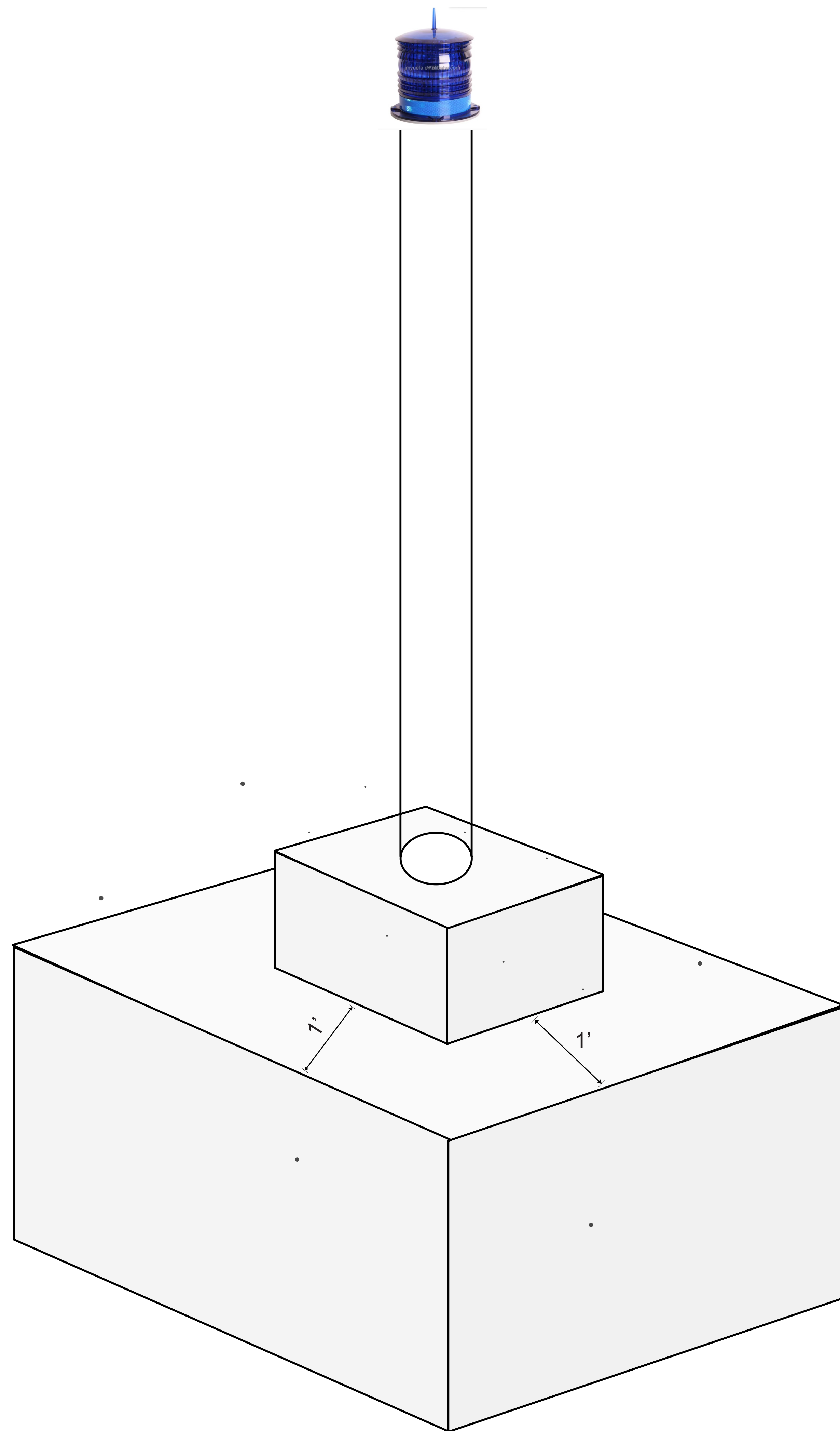
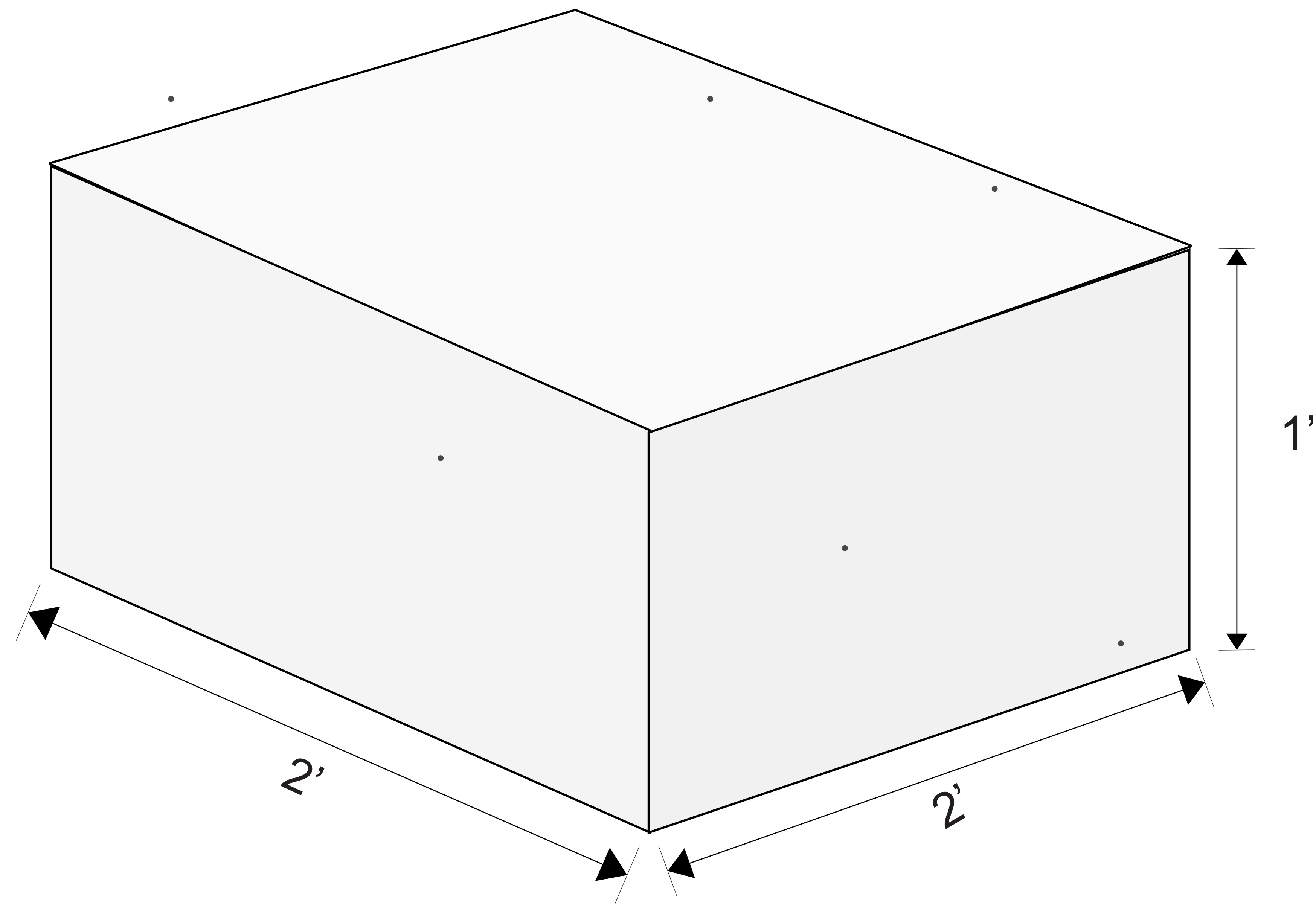
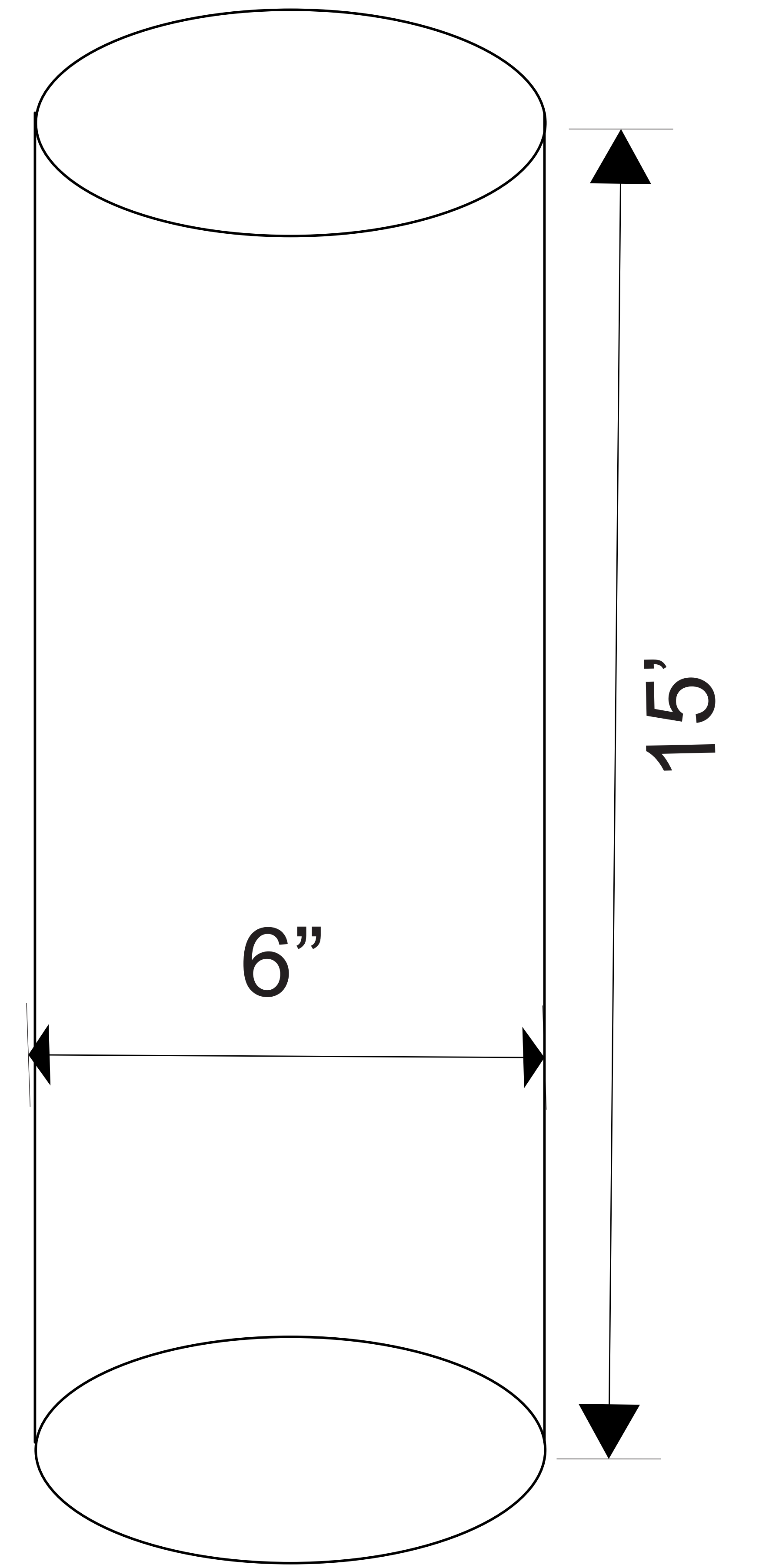
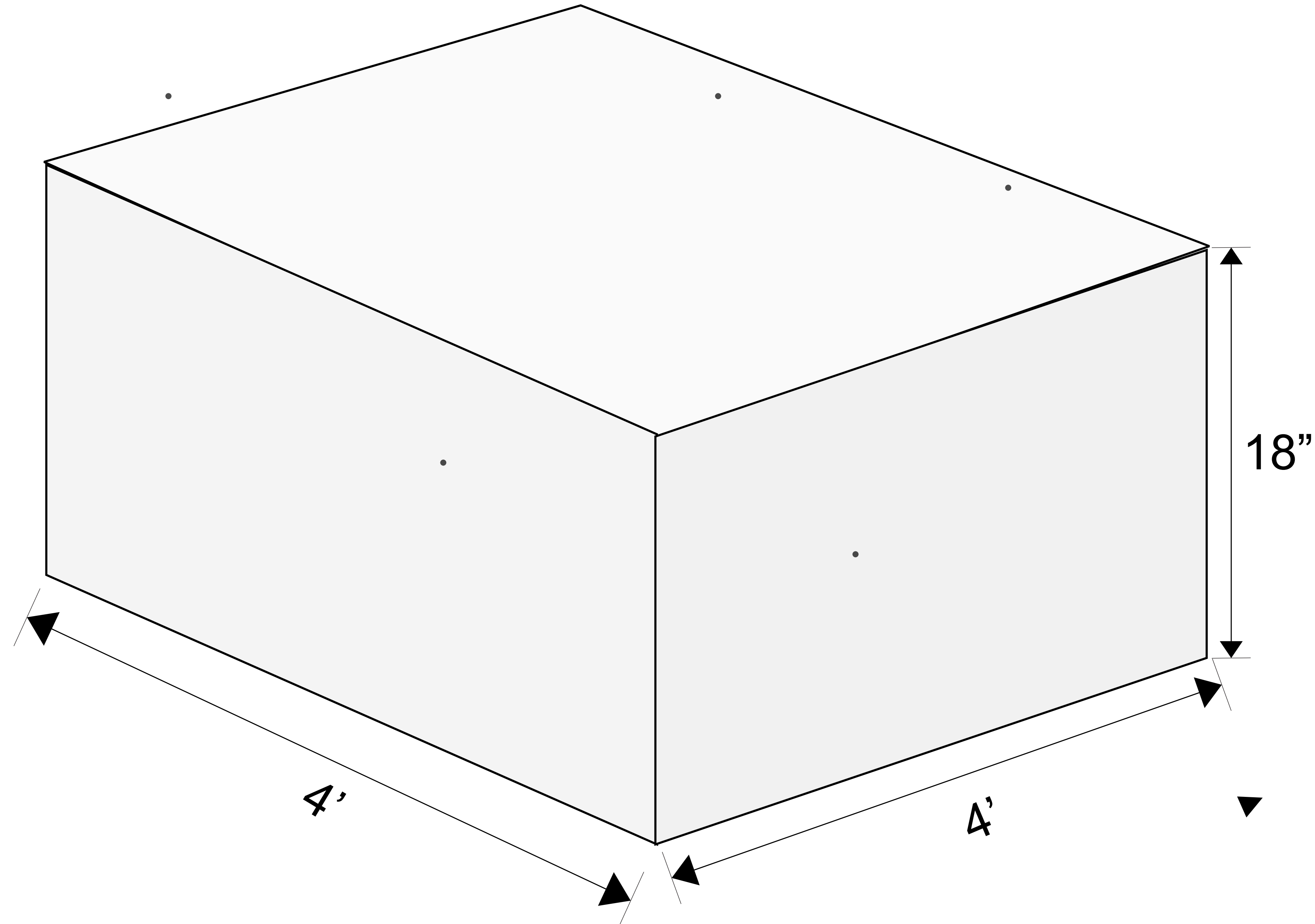
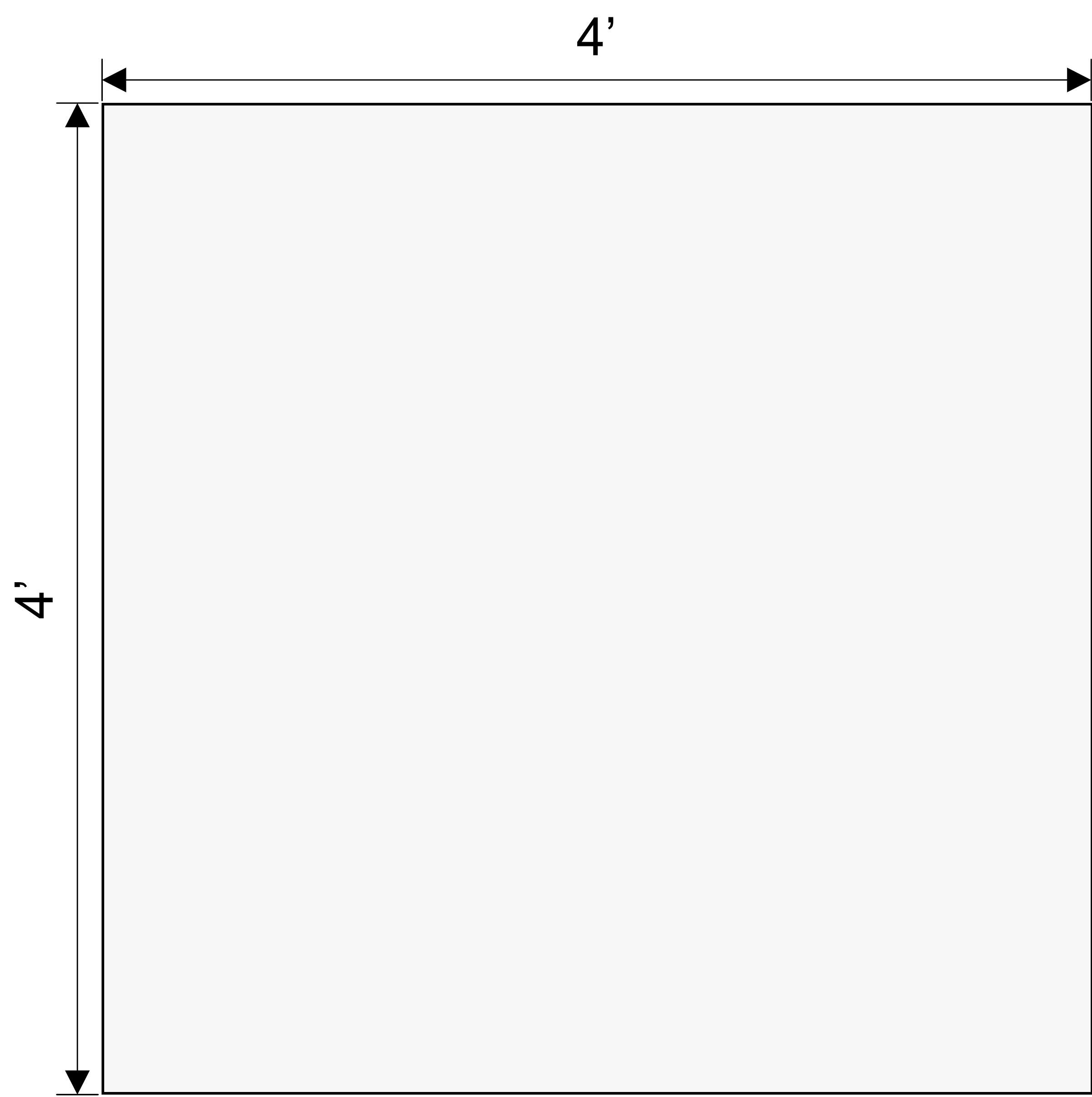
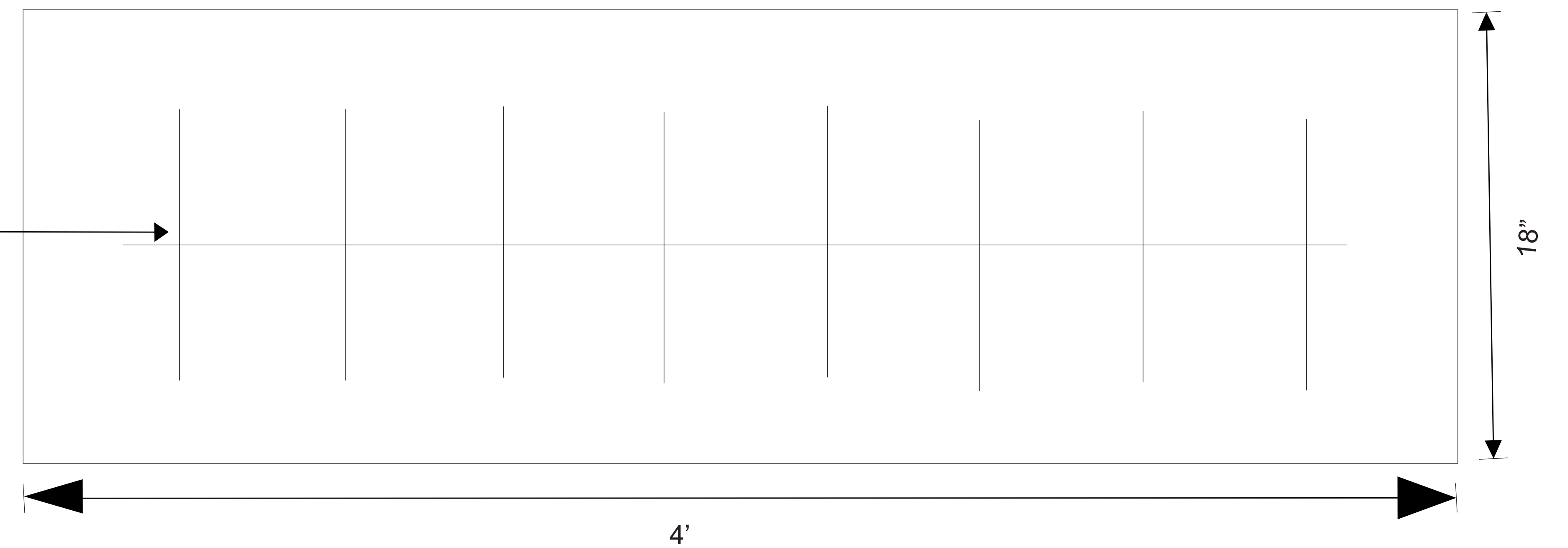


Channel Light(Concret block)



REINFORCEMENT
BOTH WAYS
(10mm)



NOTES:

1. ALL DIMENSIONS ARE IN FEET AND INCHES.
2. CONCRETE COVER FOR REINFORCEMENT: 2" ; MIN.